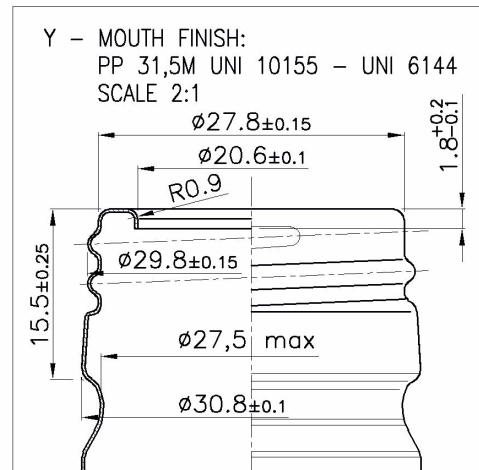
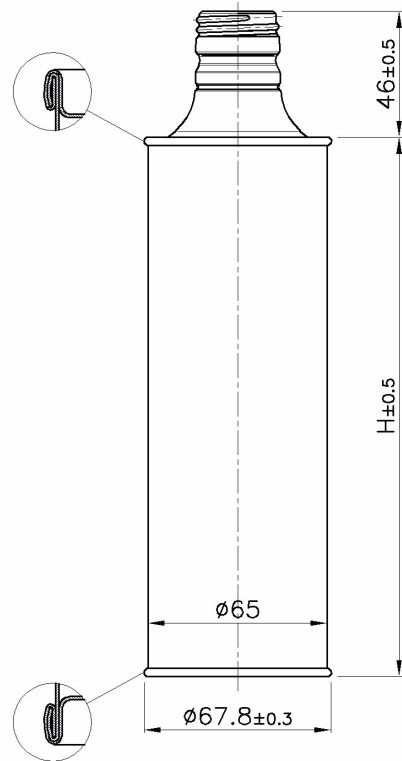


TECHNICAL DATASHEET

| | |
|---------------------|---|
| Date | 12/04/2022 |
| Article Code | S0947 |
| Description | Ø65 H161 CILINDRICA (o) - It 0,500 CUPOLA UNI10155 ORO EST. |
| Shape | COLOMBO CAN BOTTLE |
| Height(H) | 161 mm |
| Body Type | Welded |
| Weight (gr) | 85,1 |
| Drawing | GA08065COL002_CylindricalBottle_Ø65_TIN4YOU.jpg |

| Material | Thickness | Temper | Tin |
|-----------------|------------------|----------------|--------------------------------------|
| Body | 0,20 | TS245 (T52 BA) | 2,8 - 2,8 (Int-Est) |
| Bottom end | 0,18 | TH415 (T61 CA) | 2,8 - 2,8 (Int-Est) |
| Lid | 0,30 | TS275 (T57 BA) | ECCS: 20µ CLEAR - 20µ GOLD (Int-Est) |



BILL OF MATERIAL

| | | | |
|------------|---|----|-----|
| E0290 | Ø65 END/FONDO COLOMBO | PZ | 1,0 |
| F0475 | Ø65 H161 CILINDRICA - It 0,500 COLOMBO | PZ | 1,0 |
| E0398 | COP Ø65 CUPOLA COLOMBO UNI10155 - ORO ESTERNO | PZ | 1,0 |
| ARAM000002 | FILO DI RAME DIAM. 1,38 mm. | GR | 2,7 |

TIN4YOU[®]
Scatole personalizzabili

TIN 4 YOU

| | | |
|-------------------------|---------------------|-------------------|
| Date: 15/02/2017 | Scale: 1:2 | Paper size: A4 |
| Drawn by: D.D'Angelo | Approved by: ... | |

| | |
|----------------------|---|
| Group: Production | Denomination: Cylindrical bottle can electrowelded Ø65 |
|----------------------|---|

| | | | |
|---------------------------|---|---------------|--|
| Code n°: GA08065COL002 | On substitution of: The same of 09/04/2009 | Version: 2 | |
|---------------------------|---|---------------|--|

We reserve the right to legal ownership of this drawing with the prohibition to transfer it to third parts without our approval

| | |
|------------|--|
| Inside | Plain or with suitable protecting coating |
| Outside | Plain, lacquered or printed as per customer need |
| Tolerances | According to EN10202:2004 |