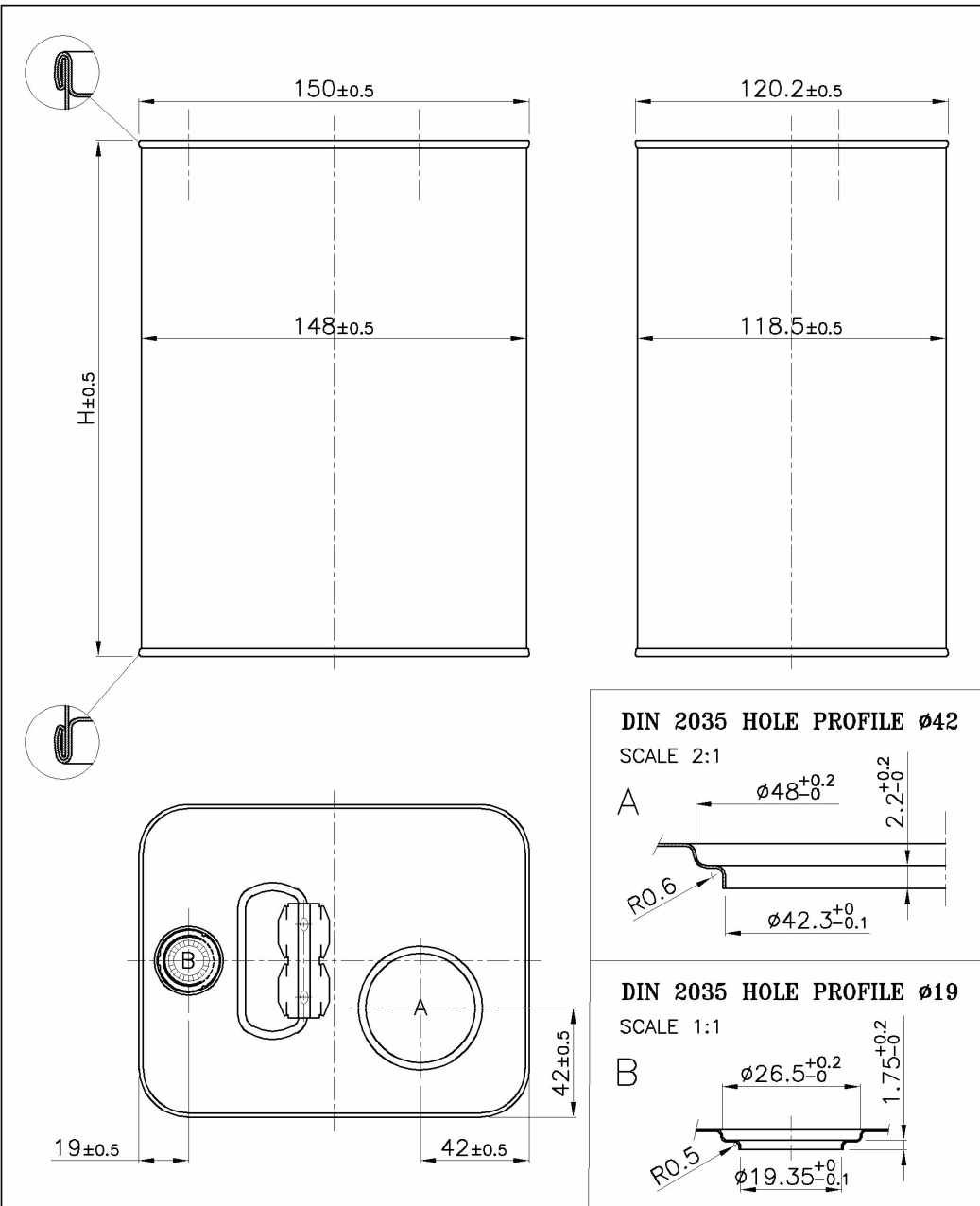


TECHNICAL DATASHEET

Date	12/04/2022		
Article Code	S1912		
Description	R117X147 H314 - It 5 DIN42 LAT+MAN PICC ZINC + TAPPINO ROSSO SFIATO		
Shape	RECTANGULAR CAN		
Height(H)	314 mm		
Body Type	Welded		
Hole side	HOLE SAME WELDING SIDE		
Weight (gr)	376,1		
Drawing	GA08117147028_DIN42_lateral_metal_handle_VentHoleDIN19central_Cap1020_TIN4YOU.jpg		
Material	Thickness	Temper	Tin
Body	0,23	TS275 (T57 BA)	8,4 - 2,8 (Int-Est)
Bottom end	0,24	TS290 (T59 BA)	8,4 - 2,8 (Int-Est)
Lid	0,24	TS290 (T59 BA)	8,4 - 2,8 (Int-Est)
Inside	Plain or with suitable protecting coating		
Outside	Plain, lacquered or printed as per customer need		
Tolerances	According to EN10202:2004		

BILL OF MATERIAL

F0021	CORPI R117X147 H314 - It 5	PZ	1,0
E0043	FONDO R117X147 DILUENTE	PZ	1,0
E0814	COP R117X147 DIN42 LAT+MAN PICC ZINC+TAPPINO ROSSO DI	PZ	1,0
ARAM000002	FILO DI RAME DIAM. 1,38 mm.	GR	6,5



TIN4YOU[®]
Scatole personalizzabili

TIN 4 YOU

Date: 27/10/2020	Scale: 1:2	Paper size: A4
Drawn by: D.D'Angelo	Approved by: ...	

Group: Production	Denomination: Rectangular can 117x147xH DIN42 lateral with metal handle and central vent hole cap DIN19
Code n°: GA08117147028	On substitution of: ...
Version: 1	

We reserve the right to legal ownership of this drawing with the prohibition to transfer it to third parts without our approval

Inside	Plain or with suitable protecting coating
Outside	Plain, lacquered or printed as per customer need
Tolerances	According to EN10202:2004