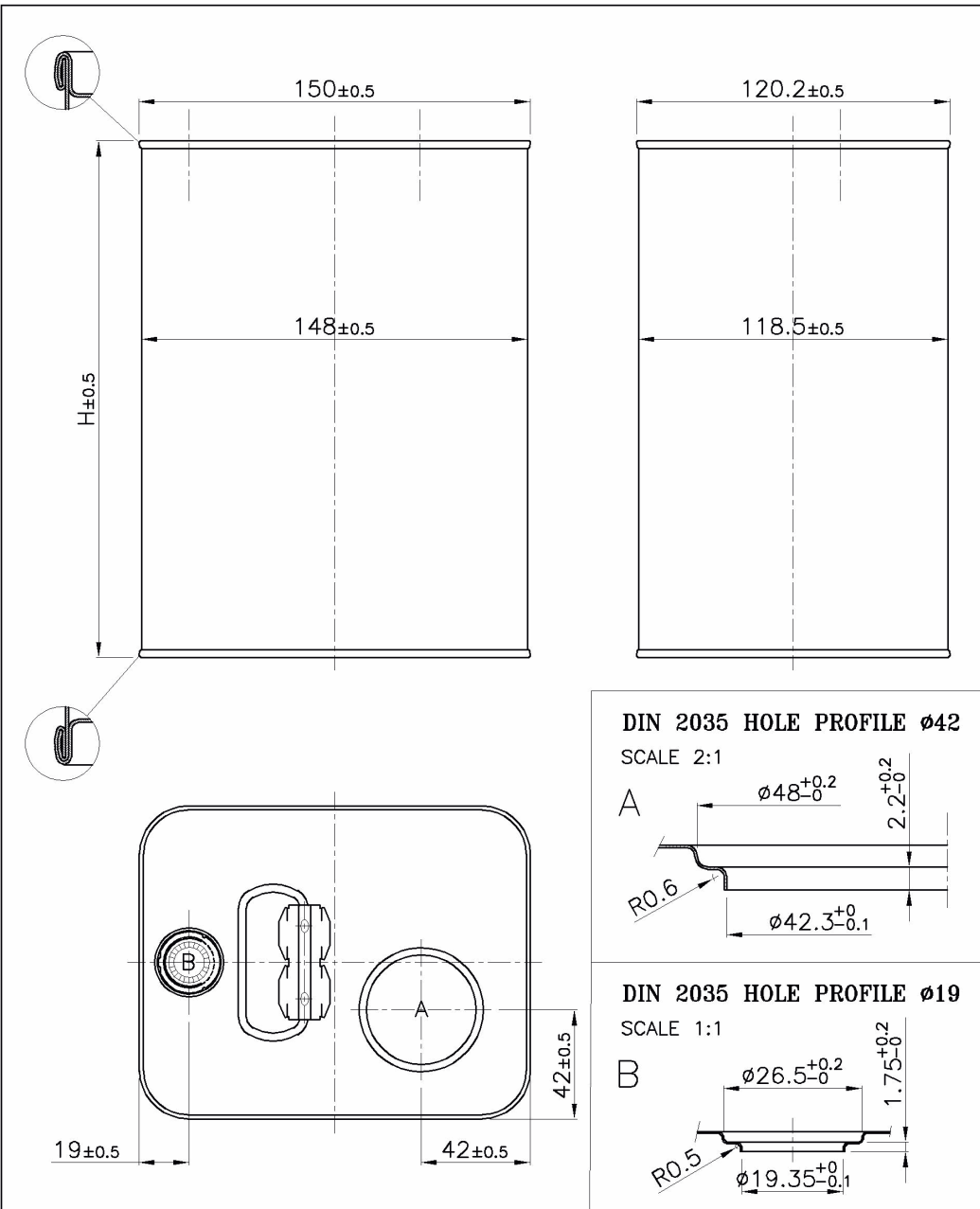


# TECHNICAL DATASHEET

<b>Date</b>	27/10/2020
<b>Article Code</b>	S2012
<b>Description</b>	R117X147 H314 - It 5 WEB (R.4)- DIN 42 LAT. +MAN PICC ZINC + TAPPINO SFIATO
<b>Shape</b>	RECTANGULAR CAN
<b>Height(H)</b>	314 mm
<b>Body Type</b>	Welded
<b>Hole side</b>	HOLE SAME WELDING SIDE
<b>Weight (gr)</b>	374,5
<b>Drawing</b>	GA08117147028_DIN42_lateral_metal_handle_VentHoleDIN19ce ntral_Cap1020_TIN4YOU.jpg

<b>Material</b>	<b>Thickness</b>	<b>Temper</b>	<b>Tin</b>
Body	0,23	TS275 (T57 BA)	8,4 - 2,8 (Int-Est)
Bottom end	0,24	TS290 (T59 BA)	8,4 - 2,8 (Int-Est)
Lid	0,24	TS290 (T59 BA)	8,4 - 2,8 (Int-Est)



## BILL OF MATERIAL

F1156	CORPI R117X147 H314 - It 5	PZ	1,0
E0043	FONDO R117X147 DILUENTE	PZ	1,0
ARAM000002	FILO DI RAME DIAM. 1,38 mm.	GR	6,5
E0814	COP R117X147 DIN42 LAT+MAN PICC ZINC+TAPPINO ROSSO DI	PZ	1,0

**TIN4YOU**<sup>®</sup>  
Scatole personalizzabili

**TIN 4 YOU**

Date: 27/10/2020	Scale: 1:2	Paper size: A4
Drawn by: D.D'Angelo	Approved by: ...	

Group: Production	Denomination: Rectangular can 117x147xH DIN42 lateral with metal handle and central vent hole cap DIN19
Code n°: GA08117147028	On substitution of: ...
Version: 1	

We reserve the right to legal ownership of this drawing with the prohibition to transfer it to third parts without our approval

Inside	Plain or with suitable protecting coating
Outside	Plain, lacquered or printed as per customer need
Tolerances	According to EN10202:2004