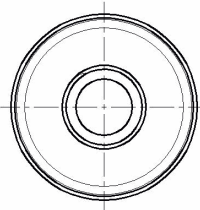
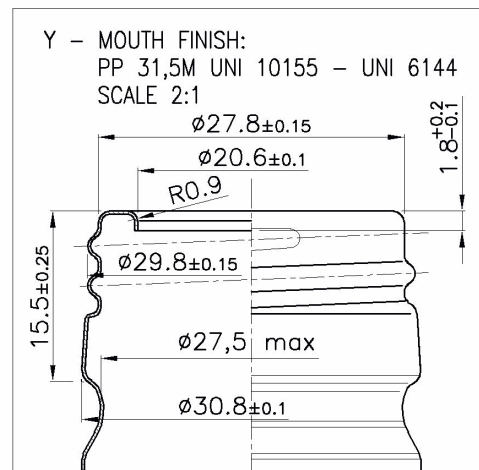
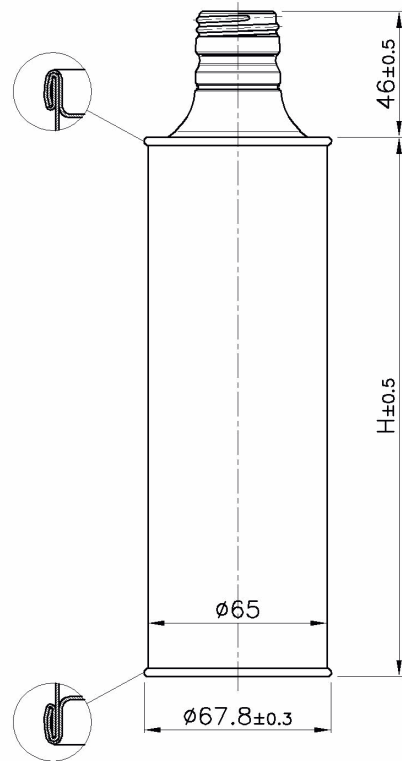


TECHNICAL DATASHEET

Date	21/10/2020
Article Code	S2017
Description	Ø65 H161 CILINDRICA (t) - It 0,500 WEB (R.16) CUPOLA UNI10155 ORO EST
Shape	COLOMBO CAN BOTTLE
Height(H)	161 mm
Body Type	Welded
Weight (gr)	83,4
Drawing	GA08065COL002_CylindricalBottle_Ø65_TIN4YOU.jpg

Material	Thickness	Temper	Tin
Body	0,20	TS245 (T52 BA)	2,8 - 2,8 (Int-Est)
Bottom end	0,18	TH415 (T61 CA)	2,8 - 2,8 (Int-Est)
Lid	0,30	TS275 (T57 BA)	ECCS: 20µ CLEAR - 20µ GOLD (Int-Est)



BILL OF MATERIAL

F1160	Ø65 H161 CILINDRICA - It 0,500 COLOMBO WEB	PZ	1,0
E0290	Ø65 END/FONDO COLOMBO	PZ	1,0
E0398	COP Ø65 CUPOLA COLOMBO UNI10155 - ORO ESTERNO	PZ	1,0
ARAM000003	FILO DI RAME DIAM. 1,50 mm.	GR	2,7

TIN4YOU[®]
Scatole personalizzabili

TIN 4 YOU

Date: 15/02/2017	Scale: 1:2	Paper size: A4
Drawn by: D.D'Angelo	Approved by: ...	

Group: Production	Denomination: Cylindrical bottle can electrowelded Ø65
----------------------	---

Code n°: GA08065COL002	On substitution of: The same of 09/04/2009	Version: 2	
---------------------------	---	---------------	--

We reserve the right to legal ownership of this drawing with the prohibition to transfer it to third parts without our approval

Inside	Plain or with suitable protecting coating
Outside	Plain, lacquered or printed as per customer need
Tolerances	According to EN10202:2004