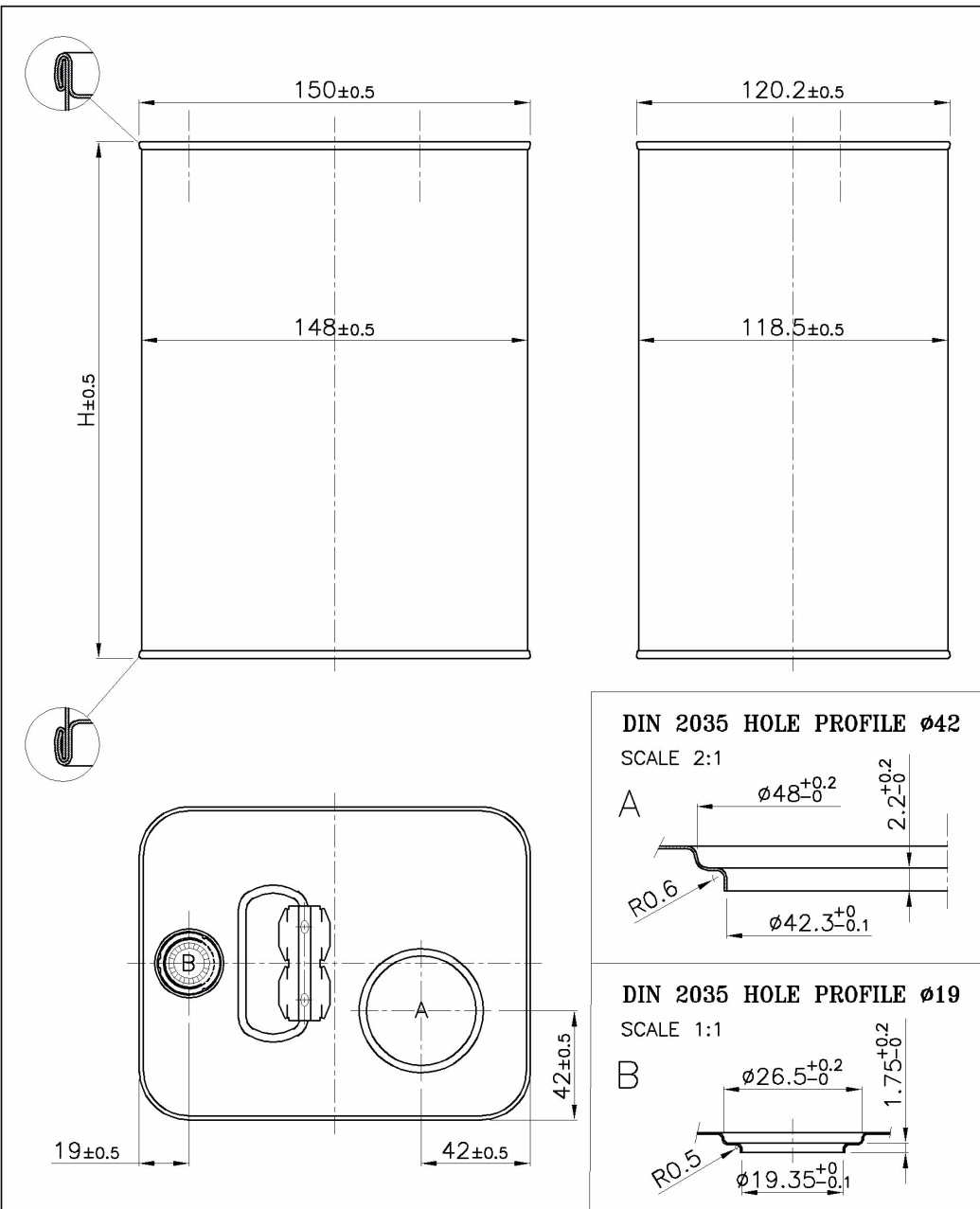


TECHNICAL DATASHEET

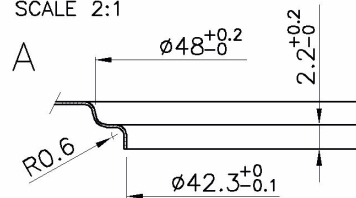
Date	12/04/2022
Article Code	S2069
Description	R117X147 H205 DIN42 LAT SALD+MAN PIC ZIN+TAPPINO ROSSO SFIATO
Shape	RECTANGULAR CAN
Height(H)	205 mm
Body Type	Welded
Hole side	HOLE SAME WELDING SIDE
Weight (gr)	278,7
Drawing	GA08117147028_DIN42_lateral_metal_handle_VentHoleDIN19ce ntral_Cap1020_TIN4YOU.jpg

Material	Thickness	Temper	Tin
Body	0,23	TS275 (T57 BA)	8,4 - 2,8 (Int-Est)
Bottom end	0,24	TS290 (T59 BA)	8,4 - 2,8 (Int-Est)
Lid	0,24	TS290 (T59 BA)	8,4 - 2,8 (Int-Est)



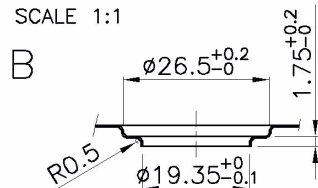
DIN 2035 HOLE PROFILE $\phi 42$

SCALE 2:1



DIN 2035 HOLE PROFILE $\phi 19$

SCALE 1:1



TIN4YOU[®]
Scatole personalizzabili

TIN 4 YOU

Date: 27/10/2020
Scale: 1:2
Paper size: A4
Drawn by: D.D'Angelo
Approved by: ...

Group: Production	Denomination: Rectangular can 117x147xH DIN42 lateral with metal handle and central vent hole cap DIN19	On substitution of: ...	Version: 1	
We reserve the right to legal ownership of this drawing with the prohibition to transfer it to third parts without our approval				

BILL OF MATERIAL

F0015	CORPI R117X147 H205 - It 3	PZ	1,0
E0043	FONDO R117X147 DILUENTE	PZ	1,0
E0814	COP R117X147 DIN42 LAT+MAN PICC ZINC+TAPPINO ROSSO DI	PZ	1,0
ARAM000002	FILO DI RAME DIAM. 1,38 mm.	GR	4,2

Inside	Plain or with suitable protecting coating
Outside	Plain, lacquered or printed as per customer need
Tolerances	According to EN10202:2004