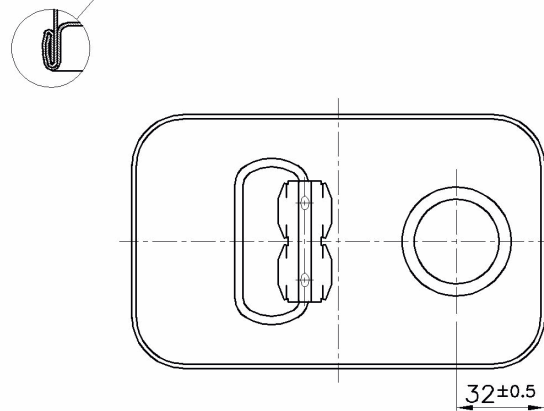
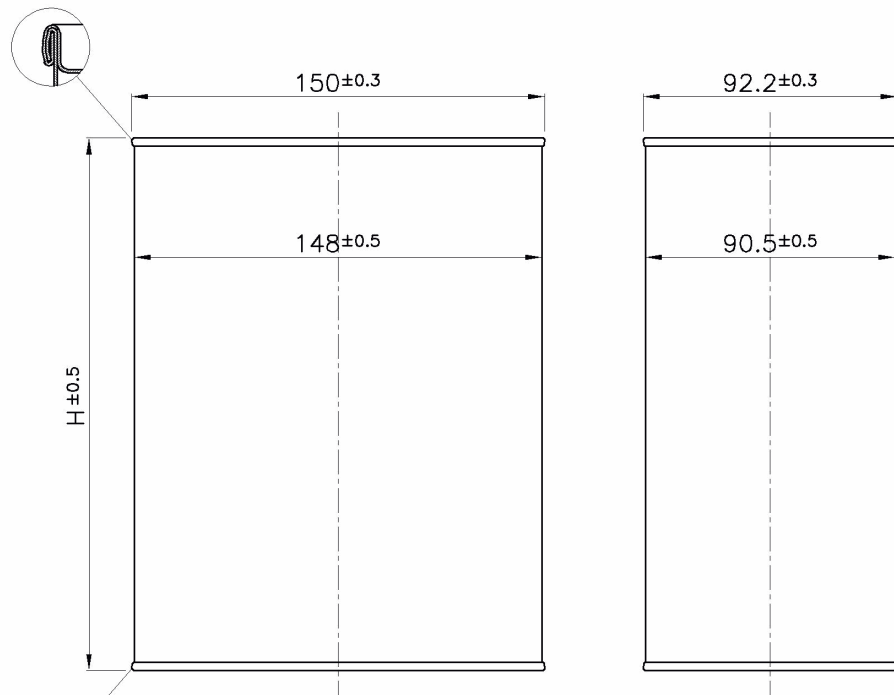


TECHNICAL DATASHEET

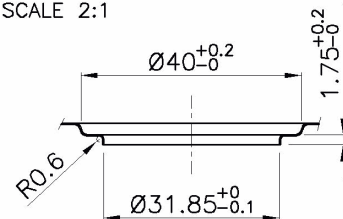
Date	24/05/2021
Article Code	S0027
Description	R090X147 H260 - It 3 DIN 32 + MAN PICC ZINCATA
Shape	RECTANGULAR CAN
Diameter/Side (mm)	090 mm x 147 mm (Nominal)
Height(H)	260 mm
Body Type	Welded
Hole side	HOLE SAME WELDING SIDE
Weight (gr)	283,8
Drawing	GA0890147002_SCATOLA_NS_ FORO32_MAN_ZINCATA_TIN4YOU.jpg

Material	Thickness	Temper	Tin
Body	0,23	TS275 (T57 BA)	8,4 - 2,8 (Int-Est)
Bottom end	0,24	TS290 (T59 BA)	8,4 - 2,8 (Int-Est)
Lid	0,24	TS290 (T59 BA)	8,4 - 2,8 (Int-Est)



DIN 2035 HOLE PROFILE Ø32

SCALE 2:1



BILL OF MATERIAL

E0016	FONDO R090X147	PZ	1,0
F0014	CORPI R090X147 H260 - It 3	PZ	1,0
E0040	COP R090X147 DIN 32 CENTRALE + MAN PICC ZINC	PZ	1,0
ARAM000002	FILO DI RAME DIAM. 1,38 mm.	GR	4,2

Inside Plain or with suitable protecting coating
 Outside Plain, lacquered or printed as per customer need
 Tolerances According to EN10202:2004
 Lid hole cut Unprotected. In combination with EVO oxidation signs may occur on the cut edge if cans are exposed to thermal shock that may cause condensation.

TIN4YOU[®]
Scatole personalizzabili

TIN 4 YOU

Date: 24/05/2021	Scale: 1:2	Paper size: A4
Drawn by: D.D'Angelo	Approved by: ...	

Group: Production	Denomination: Rectangular can NEW SIZE 90x147xH DIN32 central with metal handle
----------------------	--

Code n°: GA0890147002	On substitution of: The same of 19/03/2001	Version: 2	
--------------------------	---	---------------	--

We reserve the right to legal ownership of this drawing with the prohibition to transfer it to third parts without our approval