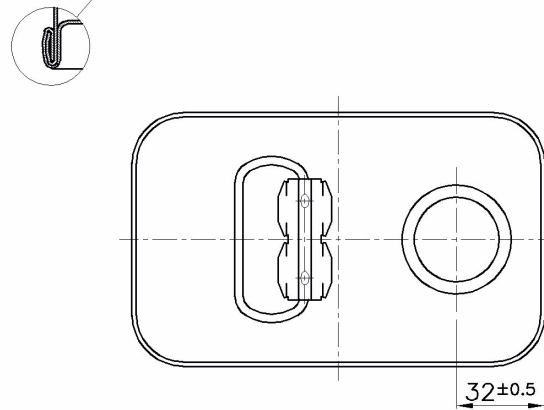
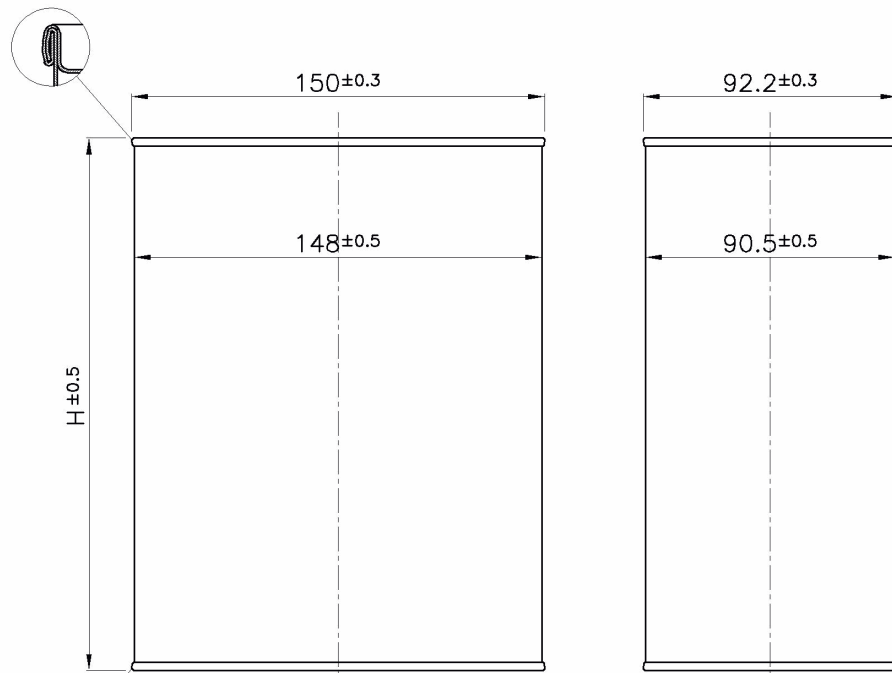


TECHNICAL DATASHEET

Date	24/05/2021
Article Code	S0243
Description	R090X147 H194 - It 2 DIN 32 + MAN ZINCATA GREZZA RSM
Shape	RECTANGULAR CAN
Diameter/Side (mm)	090 mm x 147 mm (Nominal)
Height(H)	194 mm
Body Type	Welded
Hole side	HOLE SAME WELDING SIDE
Weight (gr)	231,1

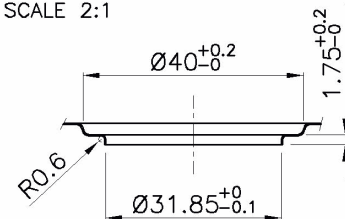
Drawing GA0890147002_SCATOLA_NS_FORO32_MAN_ZINCATA_TIN4YOU.jpg

Material	Thickness	Temper	Tin
Body	0,23	TS275 (T57 BA)	8,4 - 2,8 (Int-Est)
Bottom end	0,24	TS290 (T59 BA)	8,4 - 2,8 (Int-Est)
Lid	0,24	TS290 (T59 BA)	8,4 - 2,8 (Int-Est)



DIN 2035 HOLE PROFILE Ø32

SCALE 2:1



BILL OF MATERIAL

F0121	CORPI R090X147 H194 - It 2 RSM	PZ	1,0
E0040	COP R090X147 DIN 32 CENTRALE + MAN PICC ZINC	PZ	1,0
E0016	FONDO R090X147	PZ	1,0
ARAM000002	FILO DI RAME DIAM. 1,38 mm.	GR	3,0

TIN4YOU[®]
Scatole personalizzabili

TIN 4 YOU

Date: 24/05/2021	Scale: 1:2	Paper size: A4
Drawn by: D.D'Angelo	Approved by: ...	

Group: Production	Denomination: Rectangular can NEW SIZE 90x147xH DIN32 central with metal handle
----------------------	--

Code n°: GA0890147002	On substitution of: The same of 19/03/2001	Version: 2	
--------------------------	---	---------------	--

We reserve the right to legal ownership of this drawing with the prohibition to transfer it to third parts without our approval

Inside	Plain or with suitable protecting coating
Outside	Plain, lacquered or printed as per customer need
Tolerances	According to EN10202:2004